



## PREMIUM RANGE DALI MCU ROTARY DIMMER

911-925 - DALI MCU ROTARY DIMMER

### PRODUCT DATASHEET

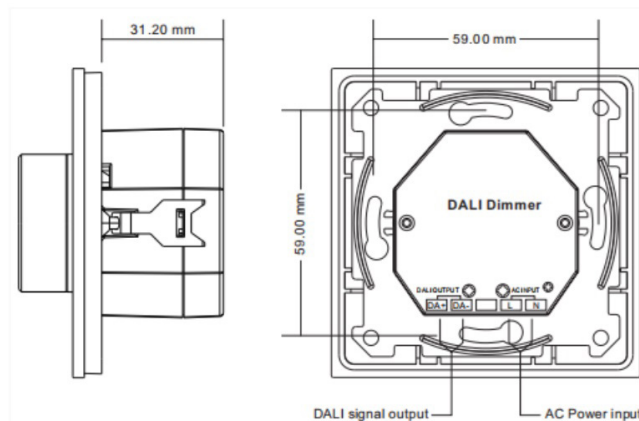
DALI rotary master with DALI output

#### Areas of application

- Conference rooms
- Restaurants
- Shop lighting

#### Product Features

- Each control circuit can supply DALI power for as many as 50 DALI devices
- Innovative Function to Power DALI Bus While Connected to AC Mains
- Powered by DALI Bus while not Connected to AC Mains • Control range up to 20m
- 5 Years Warranty



Agios Adrianos, 21100 Nafplio Greece / Europe  
Tel. +302752 091136 | [elmasco@elmasco.eu](mailto:elmasco@elmasco.eu) | [www.elmasco.eu](http://www.elmasco.eu)

LIGHT  
RIGHT

## TECHNICAL DATA

### Main Parameters

Supply Voltage	100-240V AC
Power Consumption	2.3W
Perm. Cable cross-section	0.5...1.5 mm <sup>2</sup>

Operating Temperature	0 to +50 °C
Protection	
Ingress Protection Code	IP20
Protection Class	II
Dimensions	L80*W80*H53mm
Packing Size	
Gross Weight	

### Directives

2014/30/EU	Electromagnetic Compatibility Directive
2014/35/EU	Low Voltage Directive
2011/65/EU	Restriction of Hazardous Substances Directive (RoHS)

### Standards

IEC 60730-1:2016	Automatic electrical controls for household and similar use - Part 1: General requirements
EN 61547	Equipment for general lighting purposes - EMC immunity requirements
EN IEC 55015	Limits and methods of measurement of radio disturbance characteristics of electrical lighting and similar equipment
EN 60669-1:2018	Switches for household and similar fixed electrical installations - General Requirements
BS EN 60669-2-1:2004+A12:2019	Switches for household and similar fixed electrical installations - Electronic switches

