

## LED FLOODLIGHT INSTRUCTION

### Specifications and Technical Data sheet:

Luminaire Category: LED Floodlight

Input voltage: AC220-240V 50HZ/60HZ

Ambient Temperature:  $-25^{\circ}\text{C} < \text{TA} < 45^{\circ}\text{C}$



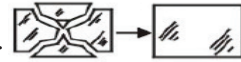
### BEFORE YOU BEGIN

Read these instructions carefully



### WARNING

1. ENSURE ELECTRICITY IS SWITCHED OFF BEFORE INSTALL .
2. Please read through all following instructions before installing the unit.
3. User should prepare necessary accessories and spare parts (not provided) including junction box .
4. The Floodlight must be earthed.
5. In the case of damage the safety shield, you must replace immediately-with tempered glass.
6. Method of attachment of the cable or cord such that any replacement can only be made by the manufacturer, his service agent or similarly qualified person.

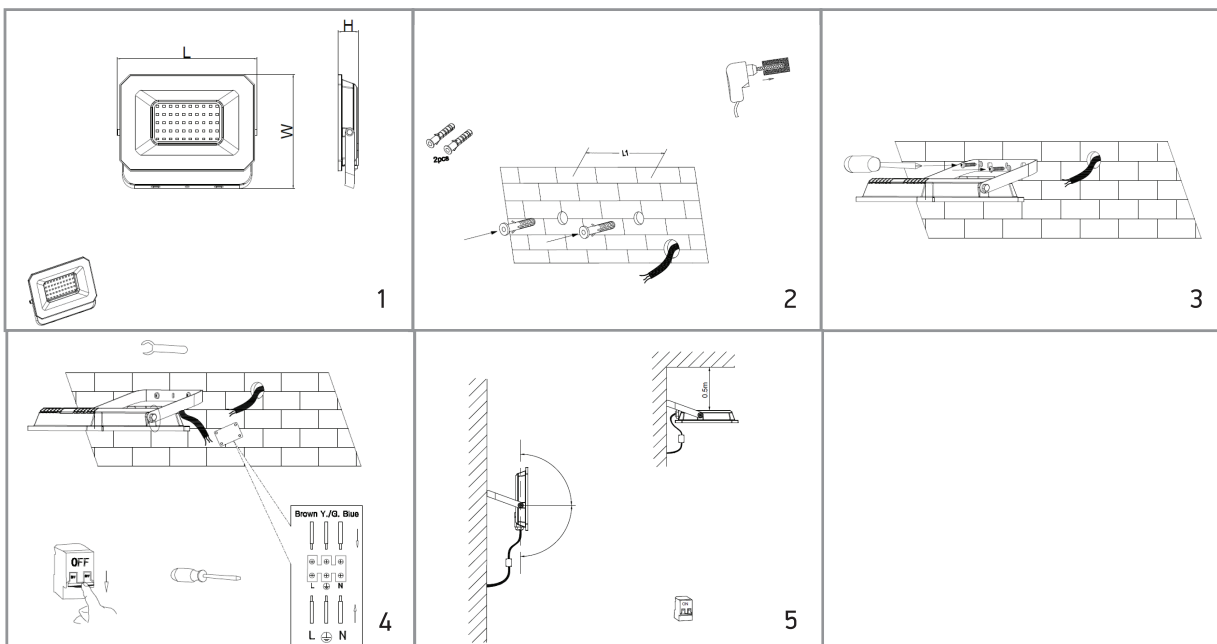


### MOUNTING

1. Do not mount a surface prone to vibrations.
2. Mark the hole position for fixing bracket onto the wall. Drill the wall at the marked positions(screw not supplied). (see fig.2)
3. Adjust the floodlight to desired position and tighten the screw of fixing bracket(see fig.3)
4. Connect your mains cable(H05RN-F3G1.0mm<sup>2</sup> Recommended) with the input lead of our product through the waterproof junction box. Note the Line(-) of the lead. (see fig.4) (Need to use the junction box of IP65 or above, ensure to tighten the waterproof screw)
5. Open the power to make sure if the product can be lighten. Adjust the irradiation angle according to the condition of usage. (see fig.5)

**CODES:** 961-001, 961-002, 961-003, 961-007, 961-008, 961-009, 961-013, 961-014, 961-015, 961-019, 961-020, 961-021, 961-025, 961-026, 961-027, 961-031, 961-032, 961-033, 961-037, 961-038, 961-039, 961-043, 961-044, 961-045, 961-049, 961-050, 961-051, 961-055, 961-056, 961-057, 961-061, 961-062, 961-063, 961-067, 961-068, 961-069, 961-073, 961-074, 961-075, 961-079, 961-080, 961-081, 961-085, 961-086, 961-087, 961-091

Please operate it strictly according to the instruction, otherwise the consequence is proud.



**WARNING** Do not open the product on your own. It loses the Warranty. The product can only be opened from the manufacturer.

